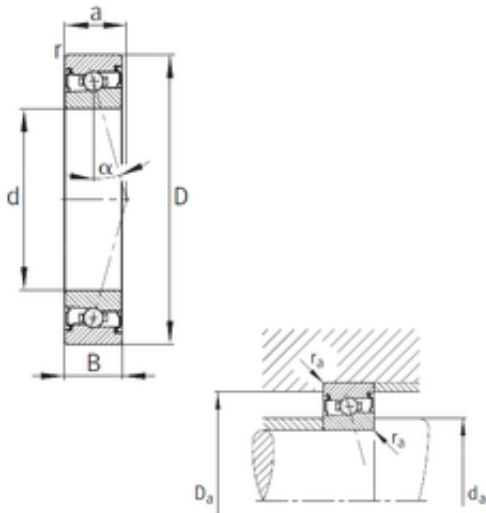




## Bearing import and Export Co., Ltd



95 mm x 145 mm x 24 mm FAG HCS7019-C-T-P4S angular contact ball bearings

Bearing No. HCS7019-C-T-P4S

Size	95x145x24 mm
Bore Diameter	95 mm
Outer Diameter	145 mm
Width	24 mm
d	95 mm
D	145 mm
B	24 mm
C	24 mm
Angle ( ° )	15 °
a	28 mm
r min.	1,5 mm
Da	136 mm
ra max.	1,5 mm
da	105 mm
Weight	1,24 Kg
Basic dynamic load rating (C)	26 kN
Basic static load rating (C0)	31 kN
(Grease) Lubrication Speed	13 000 r/min

HCS7019-C-T-P4S Bearing 2D drawings and 3D CAD models