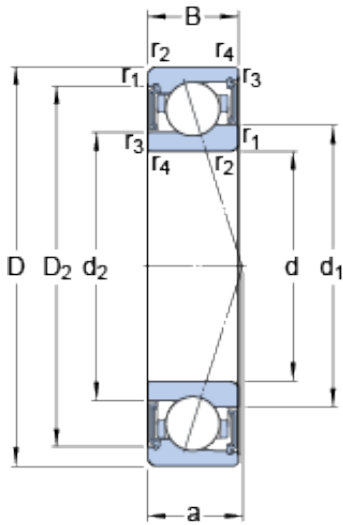




## Bearing import and Export Co., Ltd



### 65 mm x 90 mm x 13 mm SKF S71913 CE/HCP4A angular contact ball bearings

Bearing No. S71913 CE/HCP4A

S71913 CE/HCP4A Bearing 2D drawings and 3D CAD models

Size	90x65x13 mm
Bore Diameter	90 mm
Outer Diameter	65 mm
Width	13 mm
d	65 mm
D	90 mm
B	13 mm
d <sub>1</sub>	72.75 mm
d <sub>2</sub>	70.7 mm
D <sub>2</sub>	84.7 mm
r <sub>1,2</sub> - min.	1 mm
r <sub>3,4</sub> - min.	0.3 mm
a	17.5 mm
d <sub>a</sub> - min.	69.6 mm
d <sub>a</sub> - max.	72.2 mm
d <sub>b</sub> - min.	67 mm
d <sub>b</sub> - max.	70.1 mm
D <sub>a</sub> - max.	85.4 mm
D <sub>b</sub> - max.	88 mm
r <sub>a</sub> - max.	1 mm
r <sub>b</sub> - max.	0.3 mm
Basic dynamic load rating - C	16.5 kN
Basic static load rating - C <sub>0</sub>	12.5 kN
Fatigue load limit - P <sub>u</sub>	0.53 kN



## Bearing import and Export Co., Ltd

Limiting speed for grease lubrication	24000 r/min
Ball - $D_w$	7.938 mm
Ball - z	24
Calculation factor - $f_0$	8.5
Preload class A - $G_A$	89 N
Preload class B - $G_B$	266 N
Preload class C - $G_C$	532 N
Calculation factor - f	1.19
Calculation factor - f	1
Calculation factor - $f_{2A}$	1
Calculation factor - $f_{2B}$	1.05
Calculation factor - $f_{2C}$	1.09
Calculation factor - $f_{HC}$	1.01
Preload class A	53 N/micron
Preload class B	84 N/micron
Preload class C	116 N/micron
$d_1$	72.75 mm
$d_2$	70.7 mm
$D_2$	84.7 mm
$r_{1,2}$ min.	1 mm
$r_{3,4}$ min.	0.3 mm
$d_a$ min.	69.6 mm
$d_a$ max.	72.2 mm
$d_b$ min.	67 mm
$d_b$ max.	70.1 mm
$D_a$ max.	85.4 mm
$D_b$ max.	88 mm
$r_a$ max.	1 mm
$r_b$ max.	0.3 mm
Basic dynamic load rating C	16.5 kN



## Bearing import and Export Co., Ltd

Basic static load rating $C_0$	12.5 kN
Fatigue load limit $P_u$	0.53 kN
Attainable speed for grease lubrication	24000 r/min
Ball diameter $D_w$	7.938 mm
Number of balls $z$	24
Preload class A $G_A$	89 N
Static axial stiffness, preload class A	53 N/ $\mu$ m
Preload class B $G_B$	266 N
Static axial stiffness, preload class B	84 N/ $\mu$ m
Preload class C $G_C$	532 N
Static axial stiffness, preload class C	116 N/ $\mu$ m
Calculation factor $f$	1.19
Calculation factor $f_1$	1
Calculation factor $f_{2A}$	1
Calculation factor $f_{2B}$	1.05
Calculation factor $f_{2C}$	1.09
Calculation factor $f_{HC}$	1.01
Calculation factor $f_0$	8.5
Mass bearing	0.17 kg