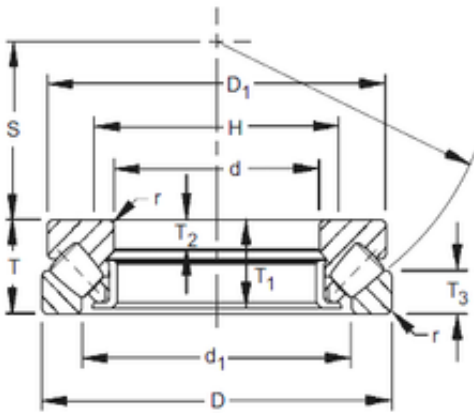




Bearing import and Export Co., Ltd

300 mm x 540 mm x 52 mm Timken 29460
thrust roller bearings

Bearing No. 29460



29460 Bearing 2D drawings and 3D CAD models

Size	300x540x145 mm
Bore Diameter	300 mm
Outer Diameter	540 mm
Width	145 mm
d	300 mm
D	540 mm
T	145 mm
B	52 mm
C	70 mm
r max	5,1 mm
T1	140 mm
d1	402 mm
D1	515 mm
H	410 mm
S	175 mm