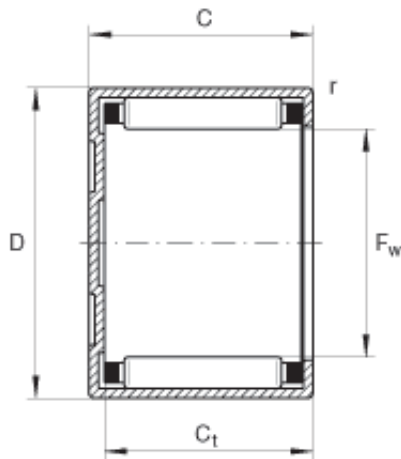




Bearing import and Export Co., Ltd



BK3012 Bearing 2D drawings and 3D CAD models

INA BK3012 needle roller bearings

Bearing No. BK3012

Size	30x37x12 mm
Bore Diameter	30 mm
Outer Diameter	37 mm
Width	12 mm
F_w	30 mm
D	37 mm
C - 12 mm / Tolerance: -0,3	12 mm / Tolerance: 0,3
$C_{t\min}$	9,3 mm
r_{\min}	0,8 mm
m	28 g / Weight
C_r	12100 N / Dynamic load rating (radial)
C_{0r}	18200 N / Static load rating (radial)
C_{ur}	2390 N / Fatigue limit load, radial
n_G	8600 1/min / Limiting speed
n_B	6300 1/min / Reference speed
	LR25X30X12,5 / Suitable inner ring
Category	Needle Non Thrust Roller Bearings
Inventory	0.0
Manufacturer Name	SCHAEFFLER GROUP
Minimum Buy Quantity	N/A
Weight / Kilogram	0.02



Bearing import and Export Co., Ltd

Product Group	B04144
Rolling Element	Needle Roller Bearing
Component	Roller Assembly with Outer Ring - No Inner Ring
Enclosure	Open
Self Aligning	No
Retainer	Yes
Number of Rows of Rollers	Single Row
Separable	No
Closed End	Yes
Inch - Metric	Metric
Relubricatable	No
Thrust Bearing	No
Long Description	30MM Bore; 37MM Outside Diameter; 12MM Width; Needle Roller Bearing; Roller Assembly with Outer Ring - No Inner Ring; Open Enclosure; No Self Aligning; Retainer; Single Row of Rollers; No Separable; C
Other Features	1 Rib Outer Ring Drawn Cup Bearing Steel Cage
Category	Needle Non Thrust Roller Bearing
UNSPSC	31171512
Harmonized Tariff Code	8482.40.00.00
Noun	Bearing
Keyword String	Needle
Manufacturer URL	http://www.ina.com
Manufacturer Item Number	BK3012
Weight / LBS	0.051
Outside Diameter	1.457 Inch 37 Millimeter
Bore	1.181 Inch 30 Millimeter
Width	0.472 Inch 12 Millimeter



Bearing import and Export Co., Ltd