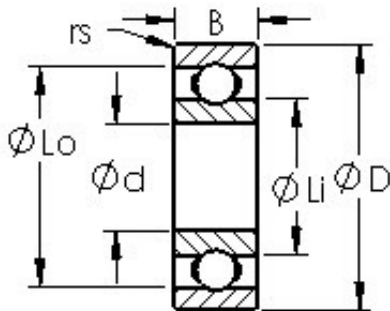




Bearing import and Export Co., Ltd



AST 6303 deep groove ball bearings

Bearing No. 6303

Size	17x47x14 mm
Bore Diameter	17 mm
Outer Diameter	47 mm
Width	14 mm
Bearing Type	Open
Bore Dia (d)	17.0000
Outer Dia (D)	47.0000
Width (B)	14.0000
Radius (min) (rs)	1.000
Dynamic Load Rating (Cr)	13,600
Static Load Rating (Cor)	6,650
Max Speed (Grease) (X1000 RPM)	15
Max Speed (Oil) (X1000 RPM)	18
Max. Shaft Shoulder Dia. Inner (Li)	27.5
Min. Housing Shoulder Dia., Outer (Lo)	38.9
Ball Qty	7
Ball Dia (Dw)	8.7310
Weight (g)	115.00
Precision	A1
Standard Clearance	C0
Material	52100 Chrome Steel or equivalent

6303 Bearing 2D drawings and 3D CAD models