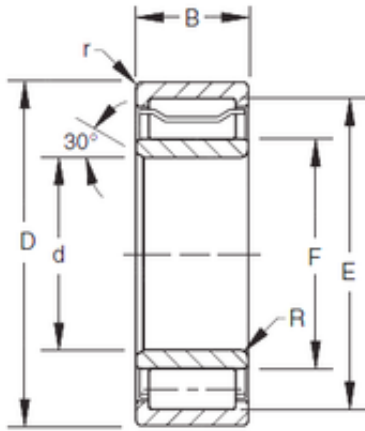




Bearing import and Export Co., Ltd



240 mm x 440 mm x 146,05 mm Timken
A-5248-WM cylindrical roller bearings

Bearing No. A-5248-WM

Bore Diameter	240 mm
Outer Diameter	402 mm
d	240 mm
F	285 mm
D	440 mm
E	402 mm
B	146,05 mm
C	146,05 mm
R	9,5 mm
r	3 mm

A-5248-WM Bearing 2D drawings and 3D CAD models