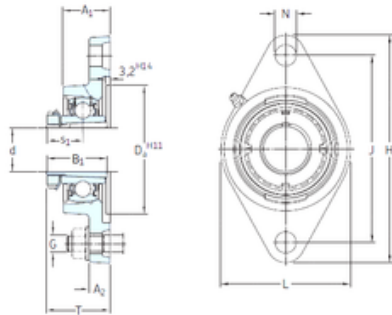




Bearing import and Export Co., Ltd

SKF FYTJ 40 KF+H 2308 bearing units



Bearing No. FYTJ 40 KF+H 2308

Bore Diameter	35 mm
d	35 mm
Da	88,9 mm
s1	27 mm
A1	36 mm
B1	46 mm
G	14 mm
H	175 mm
J	144 mm
L	100 mm
N	16 mm
T	48 mm
A2	16 mm
Weight	1,65 Kg
Basic dynamic load rating (C)	30,7 kN
Basic static load rating (C0)	19 kN
Fatigue load limit (Pu)	0,8

FYTJ 40 KF+H 2308 Bearing 2D drawings and 3D CAD models