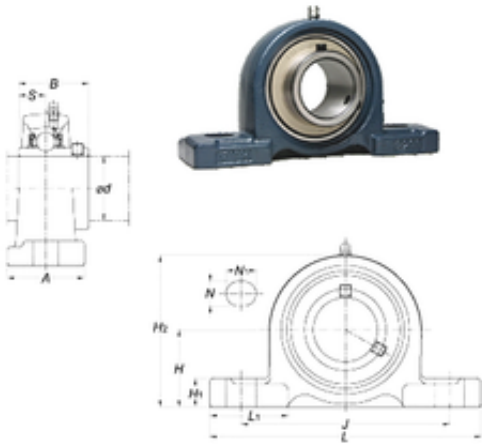




Bearing import and Export Co., Ltd

FYH UCPX14-44 bearing units



Bearing No. UCPX14-44

Bore Diameter	69,85 mm
Width	77,8 mm
d	69,85 mm
A	89 mm
B	77,8 mm
H	88,9 mm
H1	32 mm
H2	171 mm
J	229 mm
L	330 mm
L1	98 mm
N	27 mm
N1	50 mm
S	33,3 mm
Bolt (G)	M22
Weight	10,2 Kg
Basic dynamic load rating (C)	67,4 kN
Basic static load rating (C0)	48,3 kN

UCPX14-44 Bearing 2D drawings and 3D CAD models