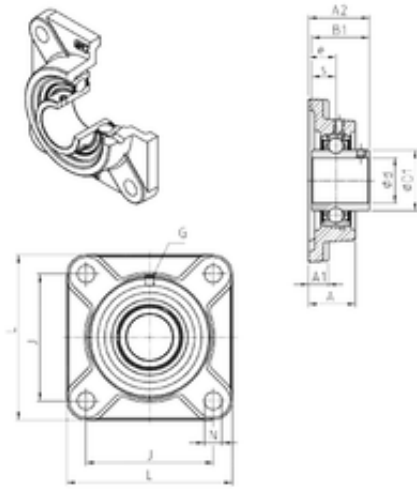




# Bearing import and Export Co., Ltd



## SNR UCF212 bearing units

Bearing No. UCF212

Bore Diameter	60 mm
d	60 mm
e	29 mm
s	25,4 mm
A	48 mm
A1	18 mm
B1	65,1 mm
D1	74,9 mm
J	143 mm
L	175 mm
N	19 mm
Thread (G)	M6x1
A2	68,7 mm
Weight	4,4 Kg
Basic dynamic load rating (C)	52,5 kN

UCF212 Bearing 2D drawings and 3D CAD models