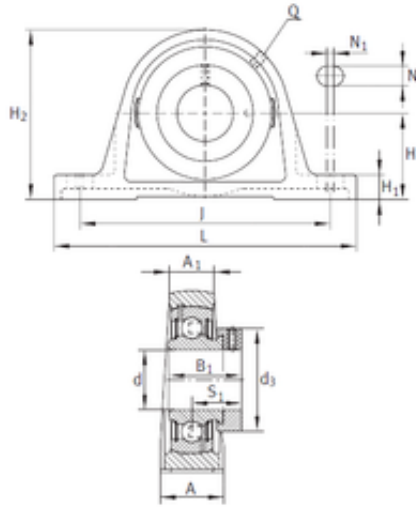




Bearing import and Export Co., Ltd



INA PAK1-1/2 bearing units

Bearing No. PAK1-1/2

Bore Diameter	38,1 mm
d	38,1 mm
S1	32,792 mm
Thread (Q)	1/8 NPT
d3	57,989 mm
A	50,013 mm
A1	32,995 mm
B	43,79 mm
H	49,2 mm
H1	19,99 mm
H2	100 mm
J	135,992 mm
L	181,509 mm
N	15,012 mm
N1	10,999 mm

PAK1-1/2 Bearing 2D drawings and 3D CAD models