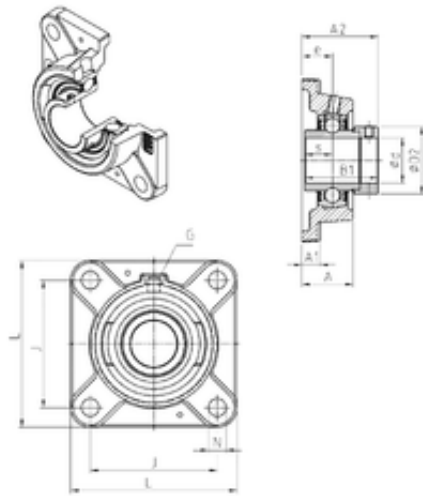




## Bearing import and Export Co., Ltd



### SNR EXFE205 bearing units

Bearing No. EXFE205

|                               |         |
|-------------------------------|---------|
| Bore Diameter                 | 25 mm   |
| d                             | 25 mm   |
| e                             | 19 mm   |
| s                             | 17,4 mm |
| A                             | 30 mm   |
| A1                            | 11 mm   |
| B1                            | 44,3 mm |
| D2                            | 38,1 mm |
| J                             | 70 mm   |
| L                             | 95 mm   |
| N                             | 11,5 mm |
| Thread (G)                    | R1/8"   |
| A2                            | 45,9 mm |
| Weight                        | 0,9 Kg  |
| Basic dynamic load rating (C) | 14 kN   |

EXFE205 Bearing 2D drawings and 3D CAD models