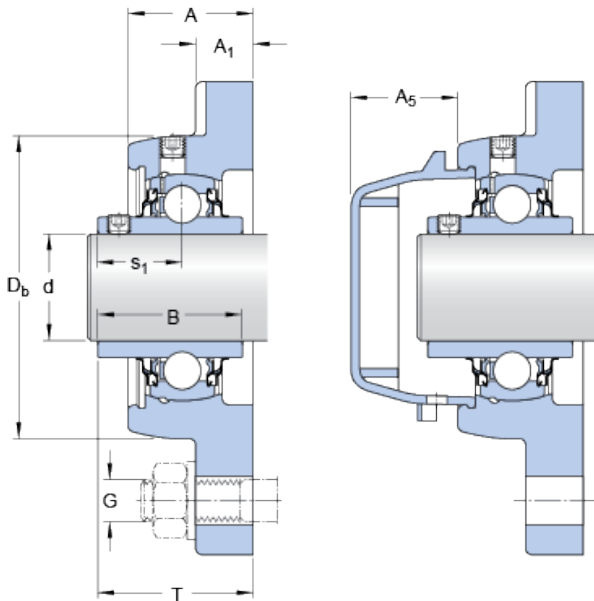




Bearing import and Export Co., Ltd



FYWR 1. YTHR Bearing 2D drawings and 3D CAD models

SKF FYWR 1. YTHR bearing units

Bearing No. FYWR 1. YTHR

Size	25.4x29.4x13.5 mm
Bore Diameter	25,4 mm
Outer Diameter	29,4 mm
Width	13,5 mm
d	25.4 mm
A	29.4 mm
A ₁	13.5 mm
A ₅	24.9 mm
B	34.1 mm
D _{b1}	65.2 mm
D _{b2}	69.7 mm
J	69.9 mm
L	95.3 mm
H	11.5 mm
s ₁	19.8 mm
T	36.5 mm
R _G - 1/4-28 UNF	1/428 UNF
R ₁	18.2 mm
Basic dynamic load rating - C	11.9 kN
Basic static load rating - C ₀	7.8 kN
Fatigue load limit - P _u	0.335 kN
Limiting speed	4300 r/min
Mass bearing unit	1.05 kg
Thread - G ₂ - 1/4-28 UNF	1/428 UNF



Bearing import and Export Co., Ltd

Hexagonal key size for grub screw - H	3.175 mm
Housing material	Stainless steel
D_{b1}	65.2 mm
D_{b2}	69.7 mm
A_1	13.5 mm
A_5	24.9 mm
N	11.5 mm
s_1	19.8 mm
R_G	1/4-28 UNF
R_1	18.2 mm
Basic dynamic load rating C	11.9 kN
Basic static load rating C_0	7.8 kN
Fatigue load limit P_u	0.335 kN
Thread grub screw G_2	1/4-28 UNF
Hexagonal key size for grub screw N	3.175 mm
Recommended tightening torque for grub screw	4 N · m
Recommended diameter for attachment bolts, mm G	10 mm
Recommended diameter for attachment bolts, inch G	0.4375 in
Housing	FYWR 505 Y
Bearing	YAR 205-100-2RFGR/HV
End cover	ECW 205