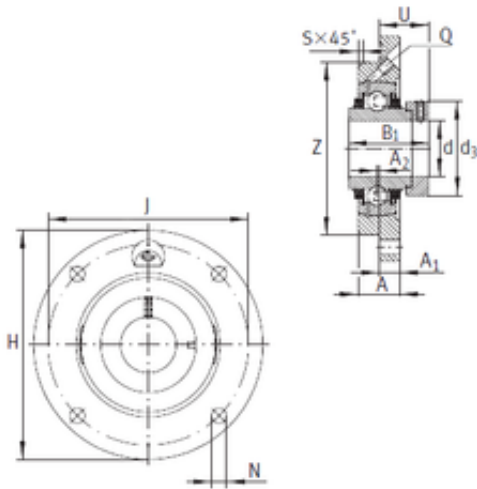




Bearing import and Export Co., Ltd



INA TME70 bearing units

Bearing No. TME70

Bore Diameter	70 mm
d	70 mm
U	44,5 mm
Thread (Q)	Rp1/8
Z	150 mm
d3	96 mm
A	32 mm
A1	18 mm
B1	66 mm
H	215 mm
J	177 mm
N	18 mm
S	6 mm
Weight	5,03 Kg
Basic dynamic load rating (C)	62 kN
Category	Flange Block Bearings
Inventory	0.0
Manufacturer Name	SCHAEFFLER GROUP
Minimum Buy Quantity	N/A
Weight / Kilogram	6.778
EAN	4012802817386
Product Group	M06110
Number of Mounting Holes	4
Mounting Method	Eccentric Collar
Housing Style	4 Bolt Round Flange Cartridge

TME70 Bearing 2D drawings and 3D CAD models



Bearing import and Export Co., Ltd

Rolling Element	Ball Bearing
Housing Material	Cast Iron
Expansion / Non-expansion	Non-expansion
Mounting Bolts	18 Millimeter
Relubricatable	Yes
Insert Part Number	GE70KPPB3
Seals	Double Triply
Housing Configuration	1 Piece Solid
Pilot Configuration	With Pilot
Inch - Metric	Metric
Long Description	4 Bolt Round Flange Cartridge; 70MM Bore; 177MM Bolt Circle; 125.2MM Bolt Spacing; 1 Piece Solid; Eccentric Collar Mount; Cast Iron; Ball Bearing; 66.1MM Length Thru Bore; Relubricatable; Double Tripl
Other Features	Single Row Centering Spigot With Set Screw
Category	Flange Block
UNSPSC	31171501
Harmonized Tariff Code	8483.20.40.40
Noun	Bearing
Keyword String	Flanged
Manufacturer URL	http://www.ina.com
Manufacturer Item Number	TME70
Weight / LBS	12.458
Cartridge Pilot Diameter	5.906 Inch 150 Millimeter
Bore	2.756 Inch 70 Millimeter
Length Thru Bore	2.602 Inch 66.1 Millimeter
Nominal Bolt Circle Diameter Round	7 Inch 177 Millimeter
Bolt Spacing	4.9 Inch 125.2 Millimeter



Bearing import and Export Co., Ltd

Cartridge Pilot Depth	0.315 Inch 8 Millimeter
-----------------------	---------------------------