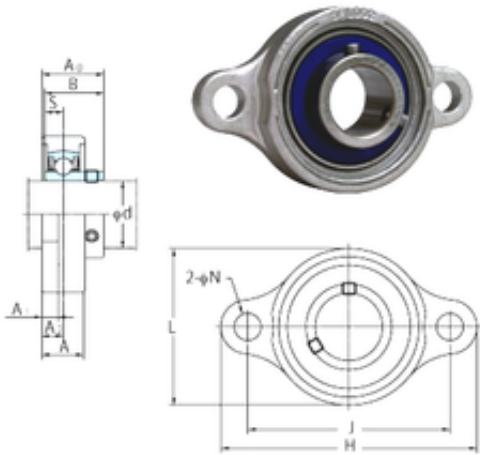




Bearing import and Export Co., Ltd

FYH USFL006S6 bearing units

Bearing No. USFL006S6



USFL006S6 Bearing 2D drawings and 3D CAD models

| | |
|-------------------------------|---------|
| Bore Diameter | 30 mm |
| d | 30 mm |
| A0 | 26 mm |
| A | 18 mm |
| A1 | 7 mm |
| B | 24,5 mm |
| H | 110 mm |
| J | 85 mm |
| L | 66 mm |
| N | 13 mm |
| S | 7,5 mm |
| Bolt (G) | M10 |
| A2 | 9 mm |
| Weight | 14,7 Kg |
| Basic dynamic load rating (C) | 0,33 kN |
| Basic static load rating (C0) | 11,2 kN |