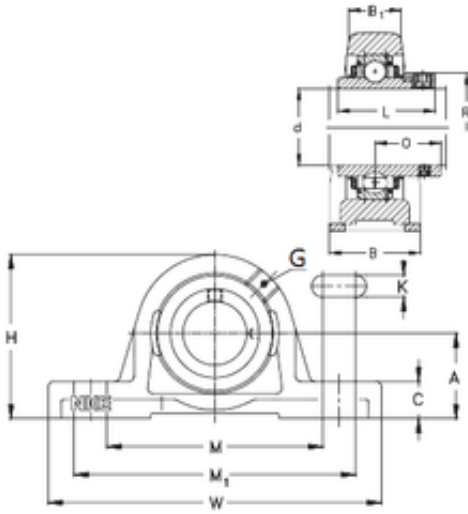




Bearing import and Export Co., Ltd

NKE PASEY 50-N bearing units

Bearing No. PASEY 50-N



PASEY 50-N Bearing 2D drawings and 3D CAD models

Bore Diameter	50 mm
Width	54 mm
d	50 mm
O	32 mm
A	57,2 mm
B	54 mm
B1	34 mm
C	21,5 mm
H	115 mm
K	18 mm
L	43 mm
M	153 mm
M1	163 mm
W	200 mm
Thread (G)	R1/8 "